

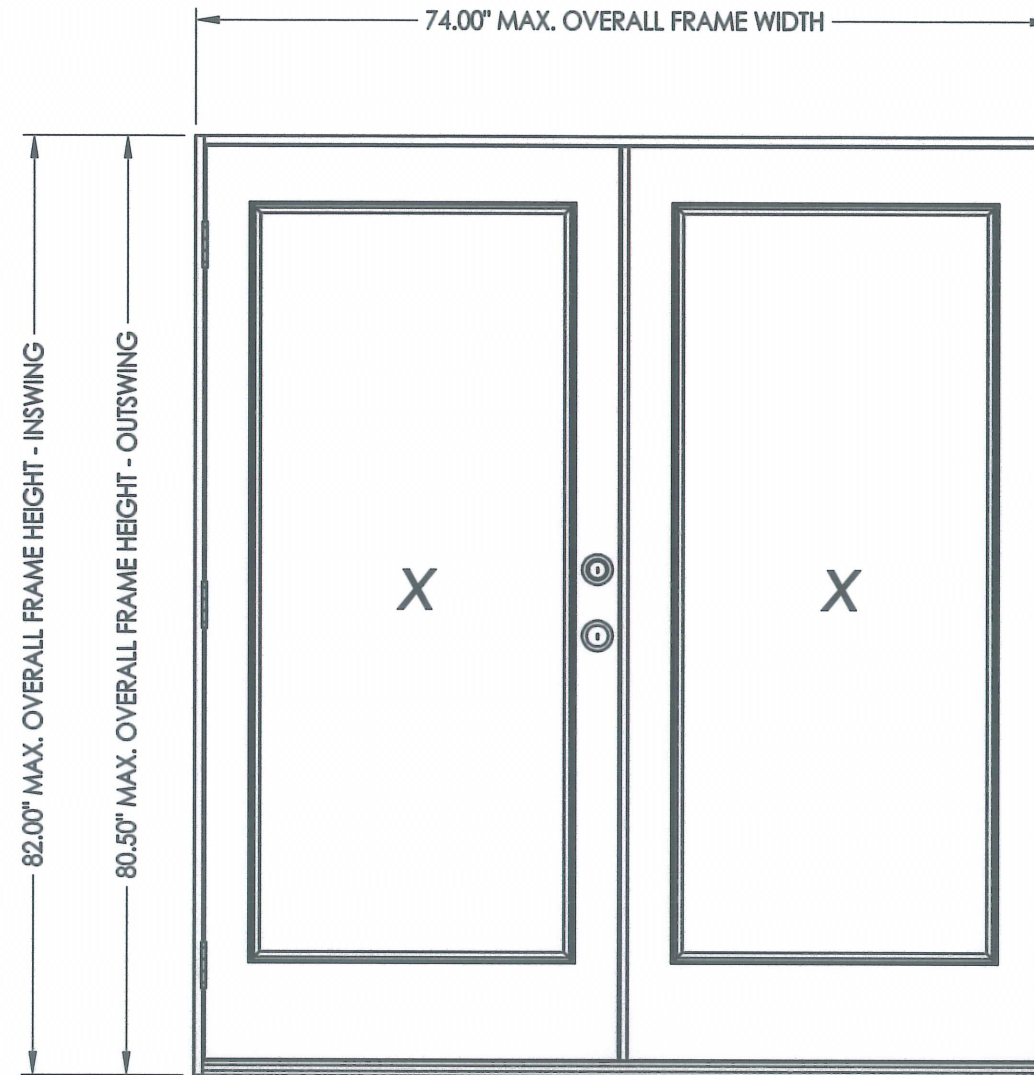
# plastpro

5200 W. CENTURY BLVD.  
LOS ANGELES, CA 90045

**Smooth / Wood Grain / White Wood Grain  
Rustic / Mahogany  
Series N Fiberglass Door  
INSWING / OUTSWING  
"NON-IMPACT"**

GENERAL NOTES

1. This product has been evaluated and is in compliance with the 2010 Florida Building Code (FBC) structural requirements excluding the "High Velocity Hurricane Zone" (HVHZ).
2. Product anchors shall be as listed and spaced as shown on details. Anchor embedment to base material shall be beyond wall dressing or stucco.
3. When used in areas requiring wind borne debris protection this product is required to be protected with an impact resistant covering that complies with Section 1609.1.2 of the FBC.
4. For 2x stud framing construction, anchoring of these units shall be the same as that shown for 2x buck masonry construction.
5. Site conditions that deviate from the details of this drawing require further engineering analysis by a licensed engineer or registered architect.



SWING	OVERALL FRAME DIMENSION	DOOR D.L.O. DIMENSION	GLASS TYPE	DESIGN PRESSURE (PSF)	
				POSITIVE	NEGATIVE
INSWING	74.00" x 82.00"	21.00" x 63.00"	G1	+47.0	-47.0
OUTSWING	74.00" x 80.50"	21.00" x 63.00"		+50.0	-50.0

TABLE OF CONTENTS	
SHEET #	DESCRIPTION
1	Typical elevation, design pressures, & general notes
2	Door panel details
3	Horizontal cross sections
4	Vertical cross sections
5	Buck and frame anchoring - 2X buck masonry construction
6	Frame anchoring - 1X buck masonry construction
7	Endura astragal details
8	Bill of materials, glazing detail & components

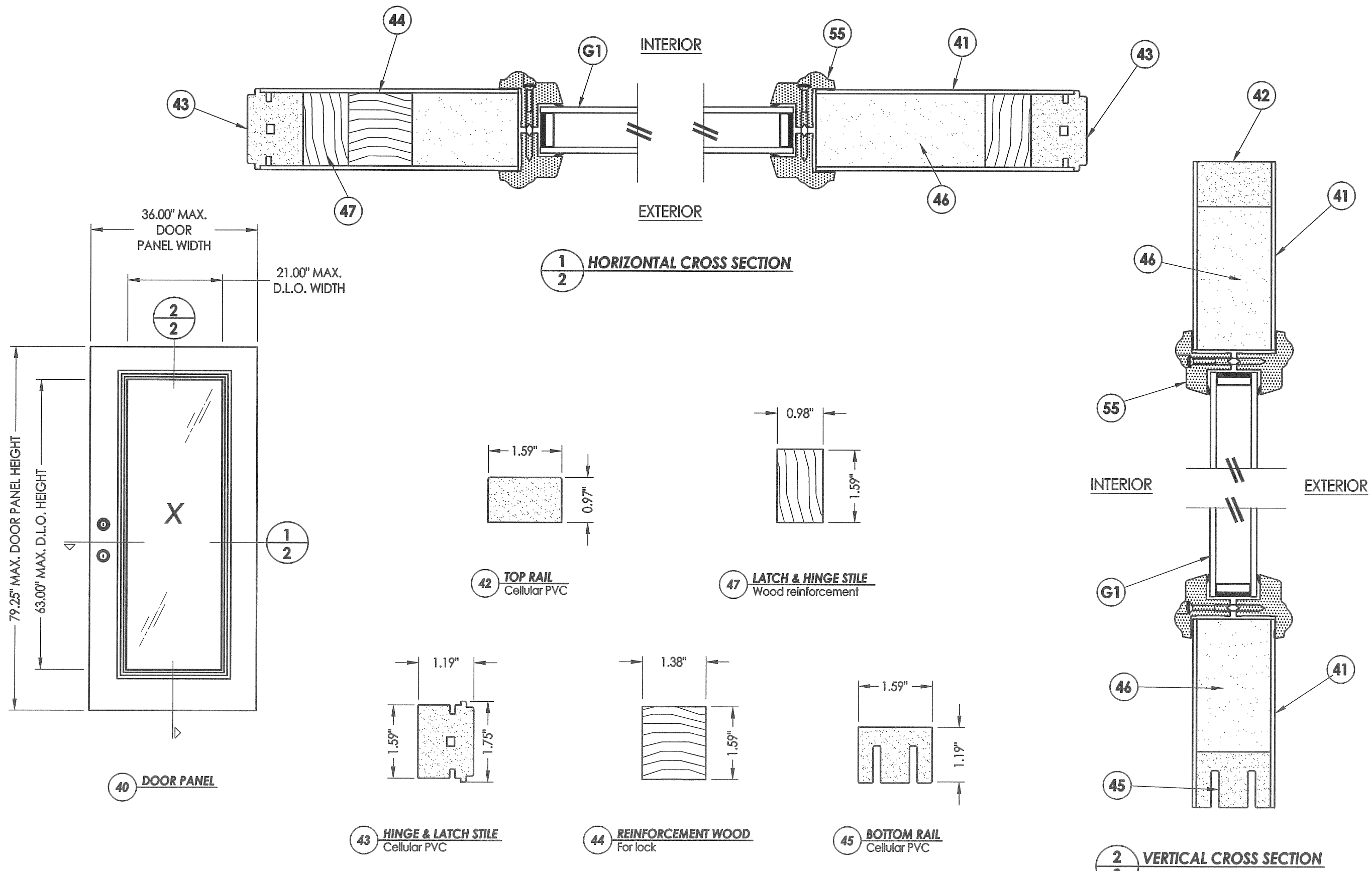
Documents Prepared By:  
**RW** BUILDING CONSULTANTS, INC.  
P.O. Box 230 Vairico FL 33595  
Phone No.: 813.659.9197  
Florida Board of Professional Engineers  
Certificate Of Authorization No. 9813  
Lyndon F. Schmidt, P.E. No. 43409

PRODUCT:  
PLASTPRO INC.  
FIBERGLASS DOOR  
PART OR ASSEMBLY:  
TYPICAL ELEVATION, DESIGN PRESSURES & GENERAL NOTES

NO.	DATE	BY	REVISIONS

DATE: 02/16/12  
SCALE: N.T.S.  
DWG. BY: JK  
CHK. BY: LFS  
DRAWING NO.: FL-15213.17  
SHEET 1 OF 8

R:\A - Projects\Project Folders\proj 1501 - 1600\PF 1587\D. RWBC Drawings\2010\FL-15213.12-18.dwg, 2.17



Documents Prepared By:

**RW** BUILDING CONSULTANTS, INC.  
P.O. Box 230 Valrico FL, 33595  
Phone No.: 813.659.9197  
Florida Board of Professional Engineers  
Certificate Of Authorization No. 9813

Lyndon F. Schmidt, P.E. No. 43409

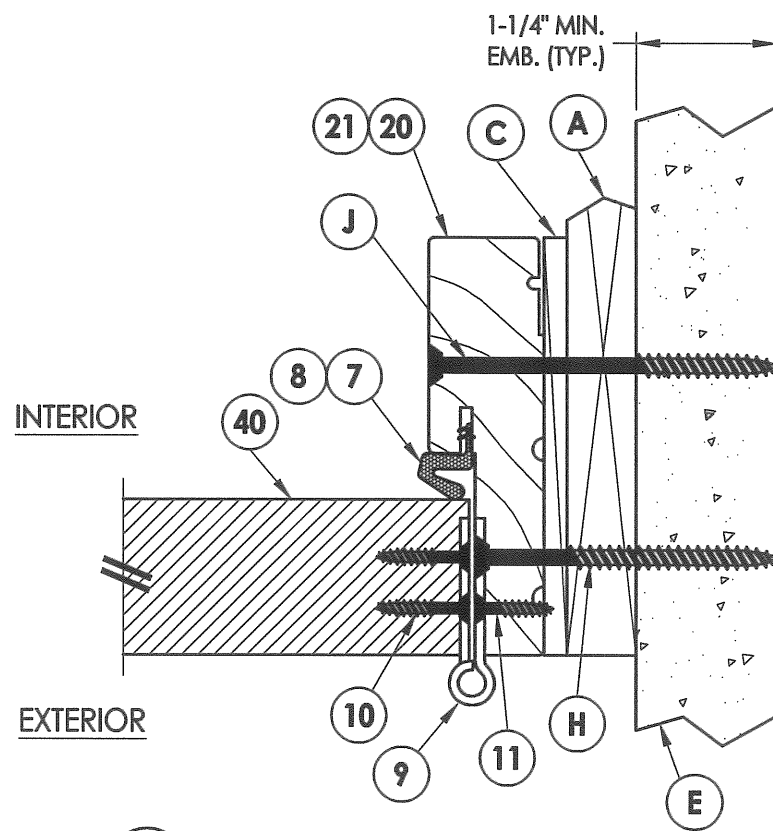
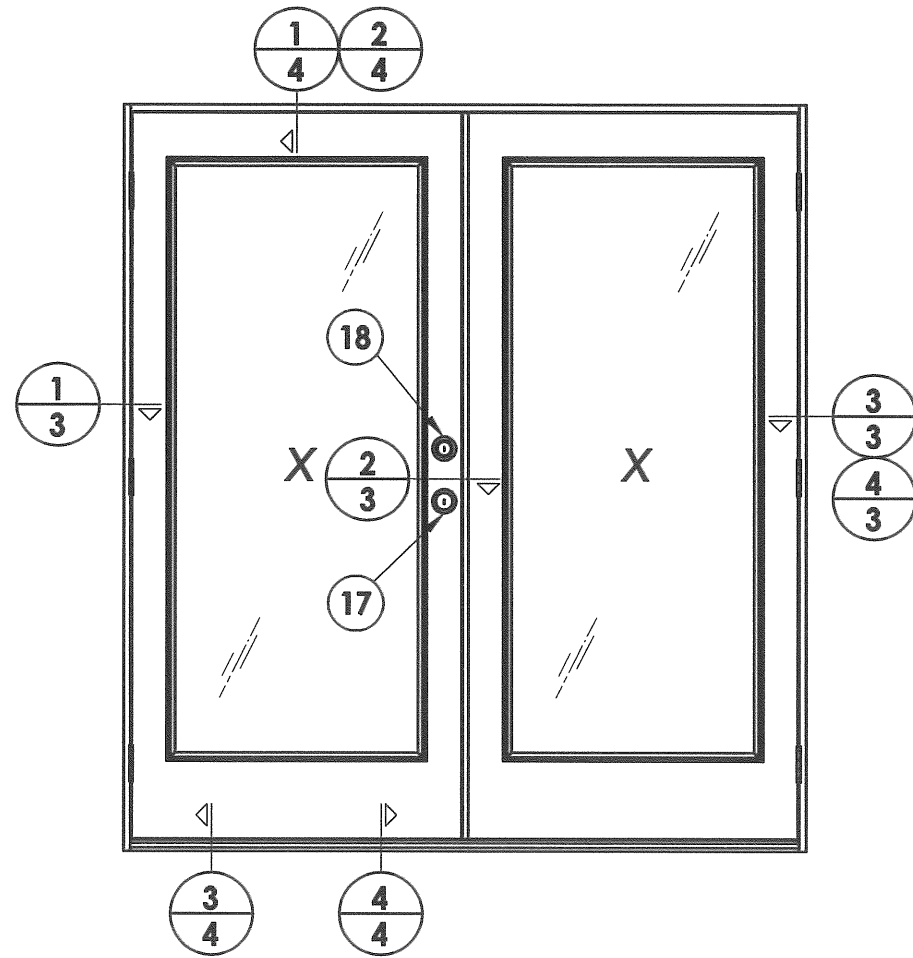
PRODUCT: PLASTPRO INC. FIBERGLASS DOOR  
PART OR ASSEMBLY: DOOR PANEL DETAILS

NO.	DATE	REVISIONS	BY

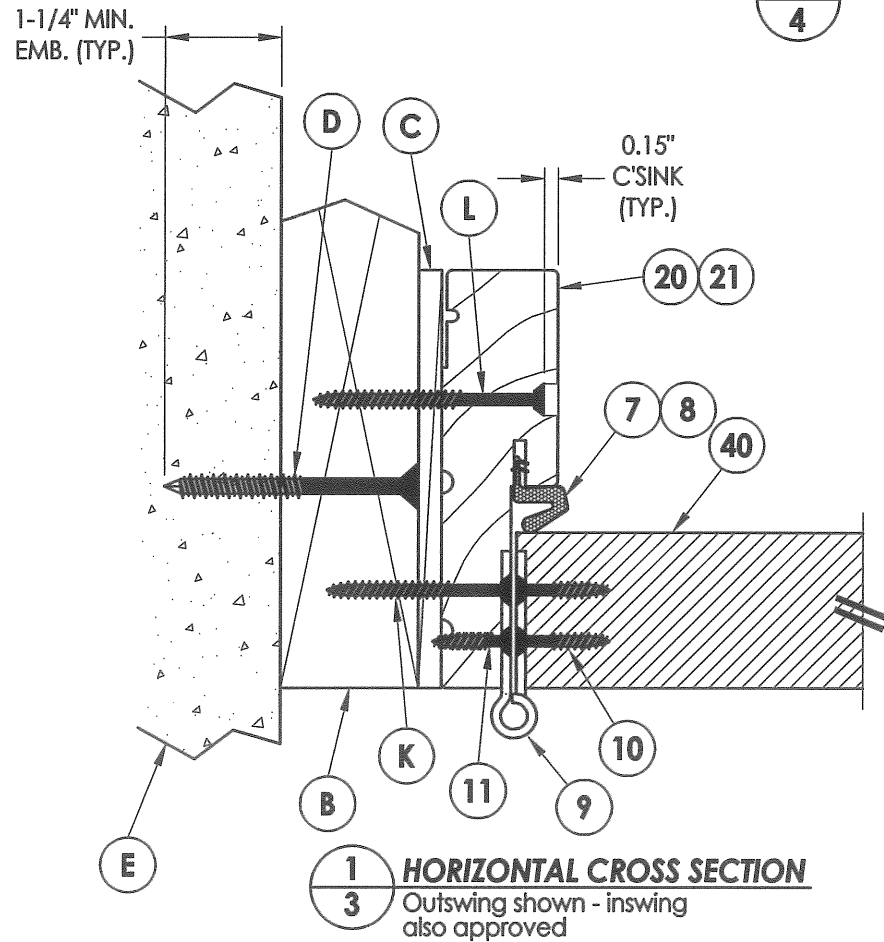
DATE: 02/16/12  
SCALE: N.T.S.  
DWG. BY: JK  
CHK. BY: LFS  
DRAWING NO.: FL-15213.17  
SHEET 2 OF 8

© 2012 R.W. BUILDING CONSULTANTS INC.



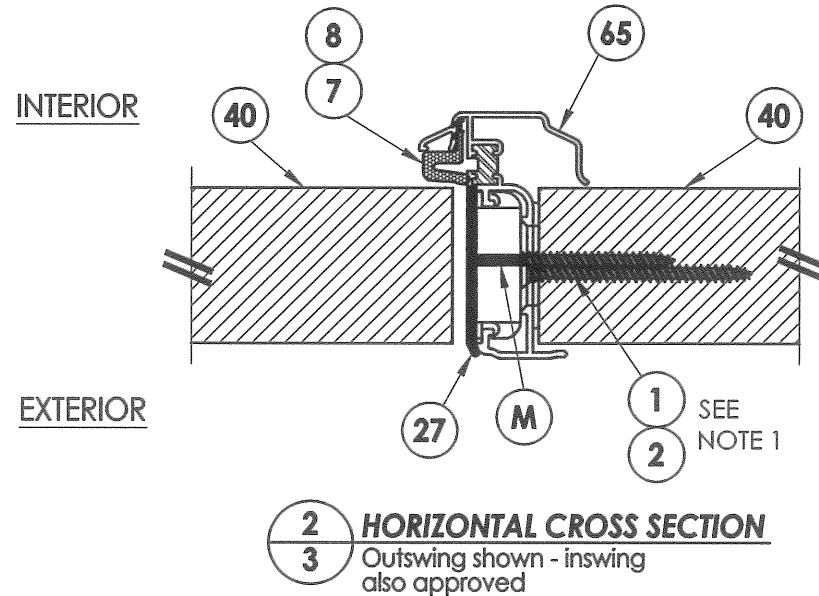


**4 HORIZONTAL CROSS SECTION**  
Shown w/1X sub-buck

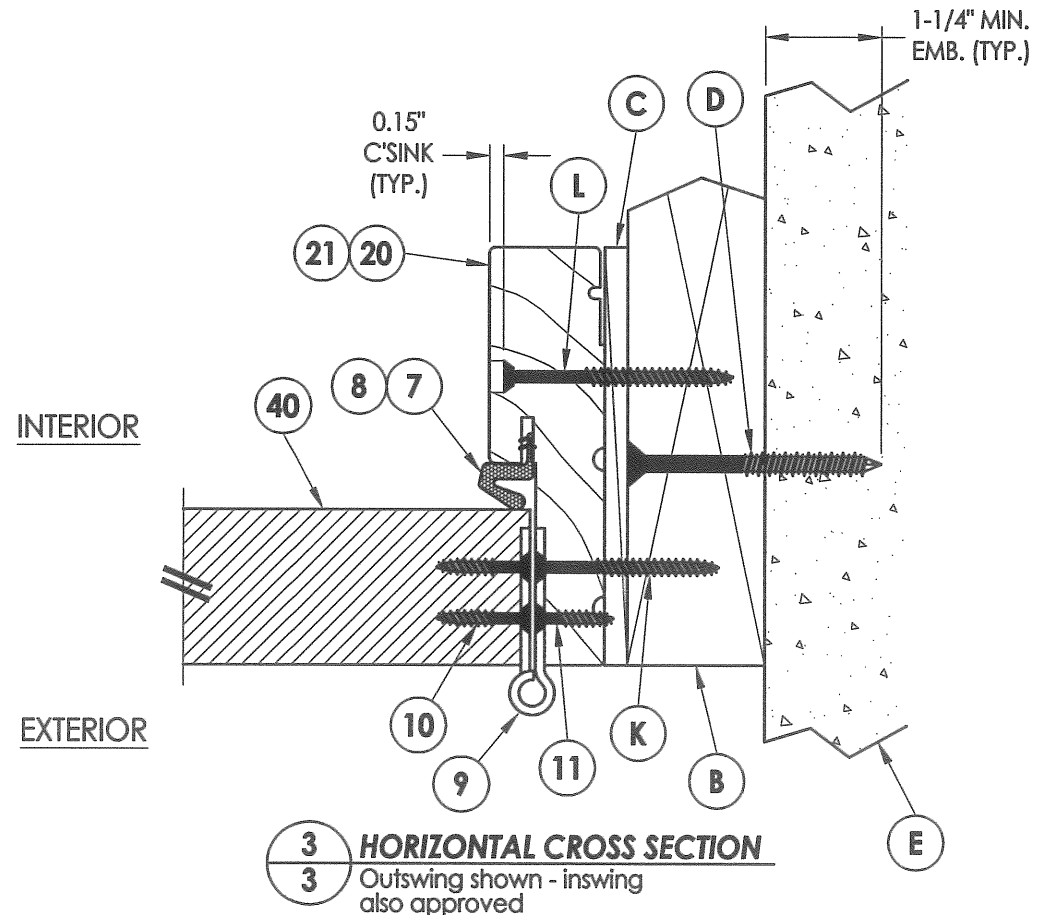


**1 HORIZONTAL CROSS SECTION**  
Outswing shown - inswing also approved

**NOTE:**  
1. As noted in the test report astragal was attached to the inactive leaf with (10) #8 x 3" psh sms and (4) #10 x 2-1/2" pfh sms for all 6'-8" (outswing). Astragal was attached to the inactive leaf with (9) #8 x 3" psh sms and (4) #10 x 2-1/2" pfh sms for all 6'-8" (inswing).



**2 HORIZONTAL CROSS SECTION**  
Outswing shown - inswing also approved



**3 HORIZONTAL CROSS SECTION**  
Outswing shown - inswing also approved

PRODUCT:

PLASTPRO INC.  
FIBERGLASS DOOR

PART OR ASSEMBLY:

HORIZONTAL CROSS SECTIONS

NO.	DATE	BY	REVISIONS

DATE: 02/16/12

SCALE: N.T.S.

DWG. BY: JK

CHK. BY: LFS

DRAWING NO.:

FL-15213.17

SHEET 3 OF 8

Documents Prepared By:

**RW** BUILDING CONSULTANTS, INC.

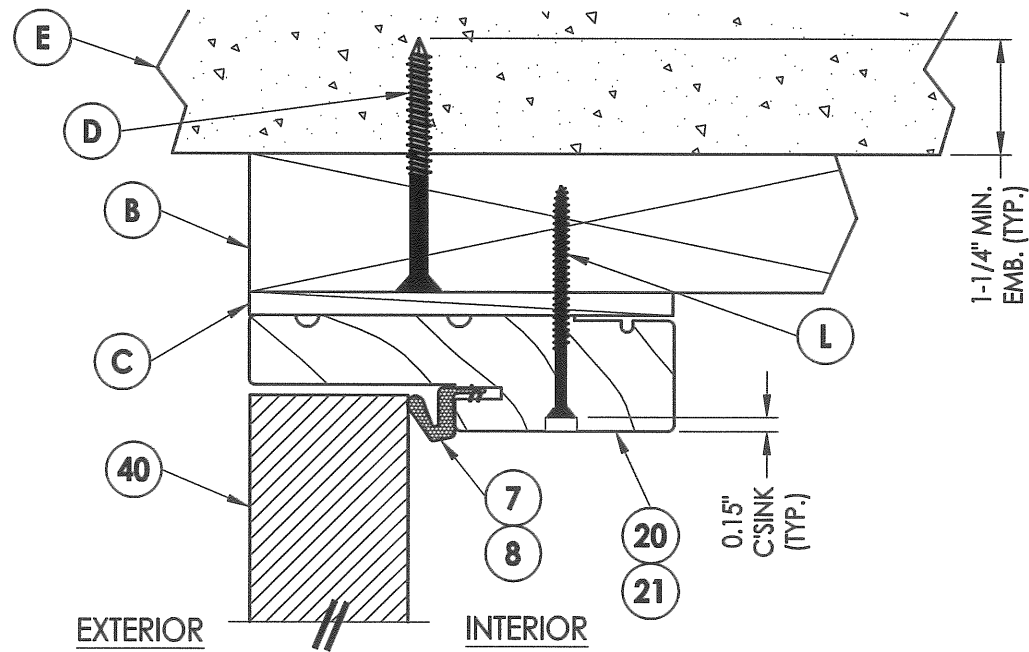
P.O. Box 230 Vairco FL 33595

Phone No.: 813.659.9197

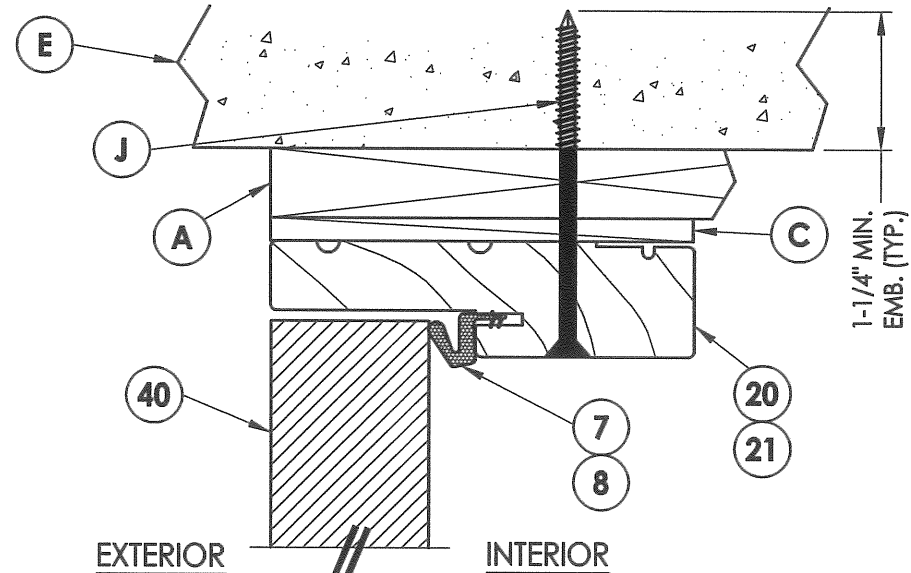
Florida Board of Professional Engineers

Certificate Of Authorization No. 9813

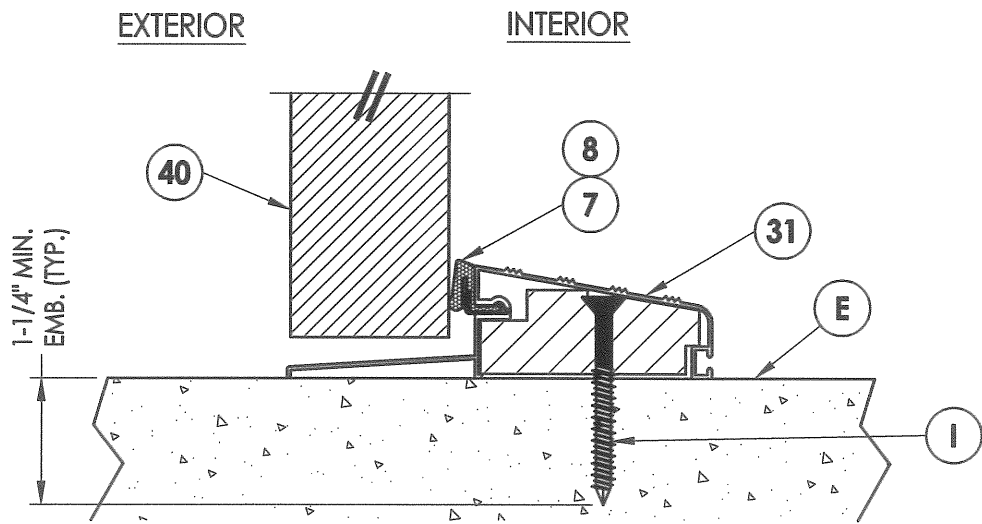
Lyndon F. Schmidt, P.E. No. 43409



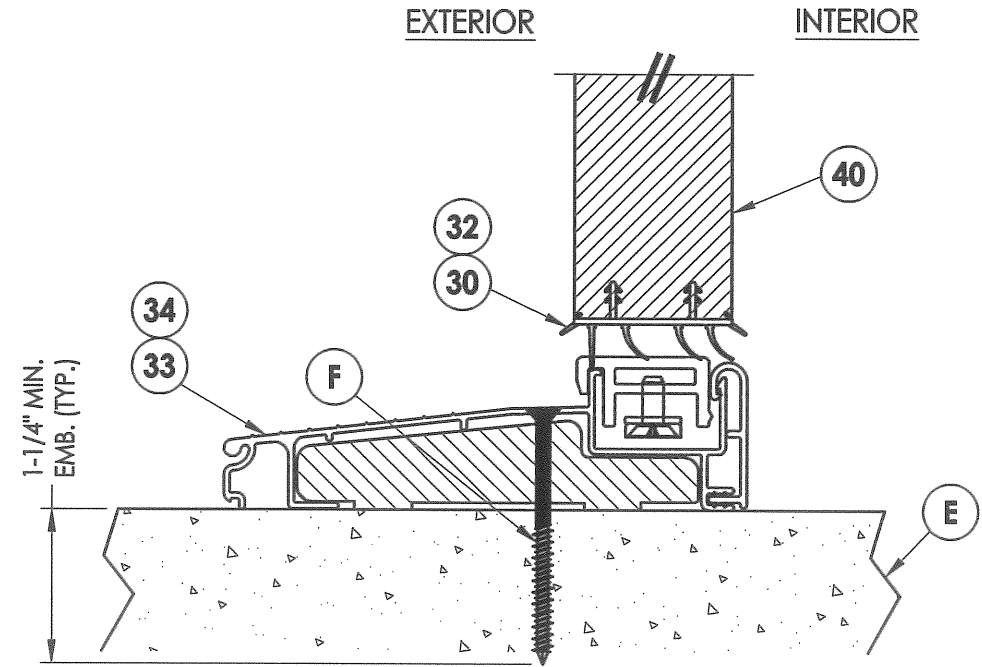
**1 VERTICAL CROSS SECTION**  
**4** Outswing shown - inswing also approved



**2 VERTICAL CROSS SECTION**  
**4** Shown w/1X sub-buck



**3 VERTICAL CROSS SECTION**  
**4** Outswing configuration



**4 VERTICAL CROSS SECTION**  
**4** Inswing configuration

R:\A - Projects\Project Folders\proj 1501 - 1600\PF 1587\D. RWBC Drawings\2010\FL-15213.12-18.dwg, 4.17

Documents Prepared By: **RW** BUILDING CONSULTANTS, INC.  
P.O. Box 230 Vairco FL 33595  
Phone No.: 813.659.9197  
Florida Board of Professional Engineers  
Certificate of Authorization No. 9813  
Lyndon F. Schmidt, P.E. No. 43409

PRODUCT: **PLASTPRO INC. FIBERGLASS DOOR**  
PART OR ASSEMBLY: **VERTICAL CROSS SECTIONS**

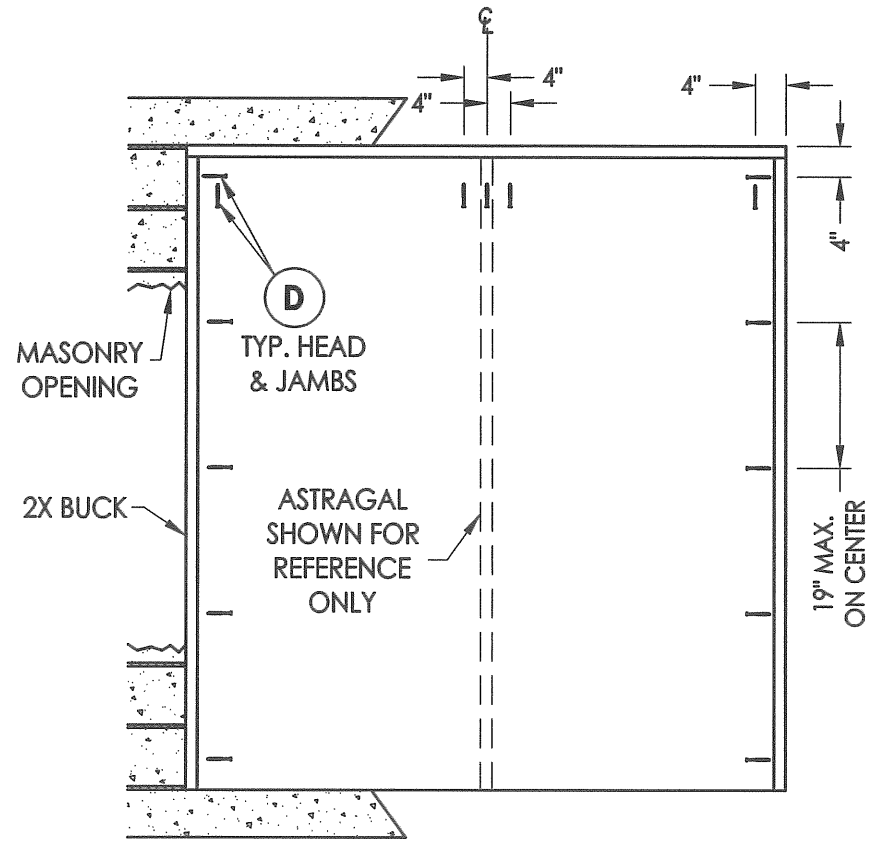
NO.	DATE	BY

REVISIONS

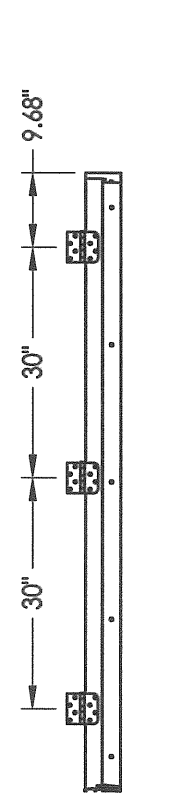
DATE: 02/16/12  
SCALE: N.T.S.  
DWG. BY: JK  
CHK. BY: LFS  
DRAWING NO.: FL-15213.17  
SHEET 4 OF 8

© 2012 R.W. BUILDING CONSULTANTS INC.

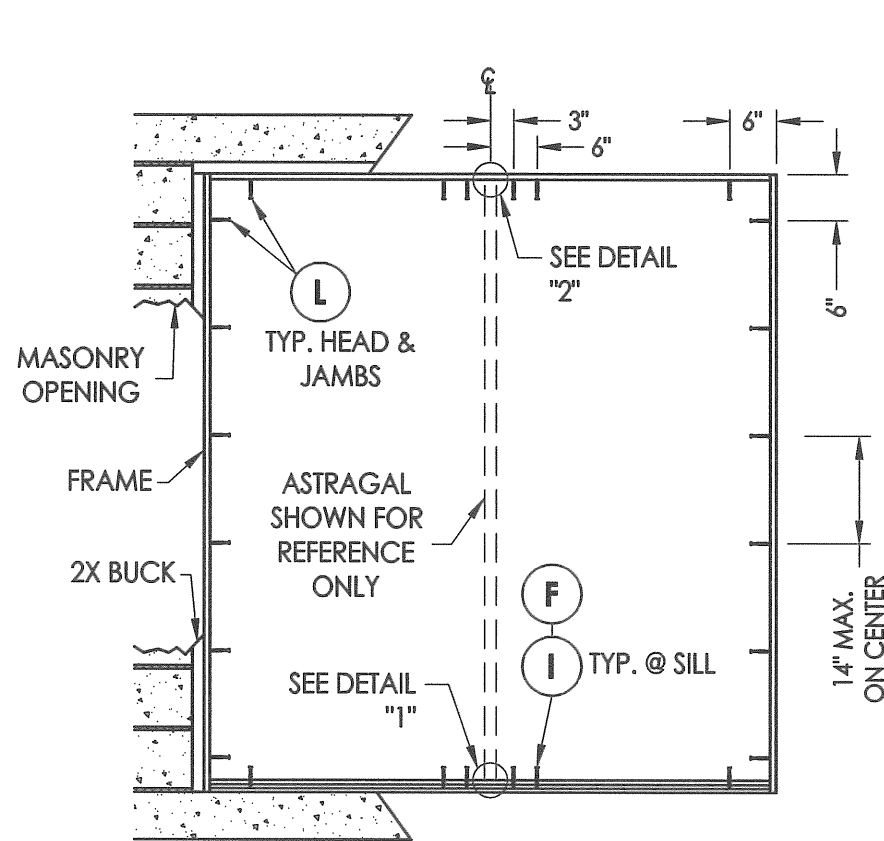
R:\A - Projects\Project Folders\proj 1501 - 1600\PF 1587\D. RWBC Drawings\2010\FL-15213.12-18.dwg, 5.17



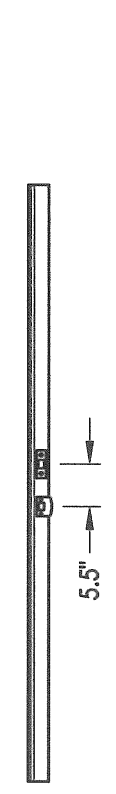
**BUCK ANCHORING**



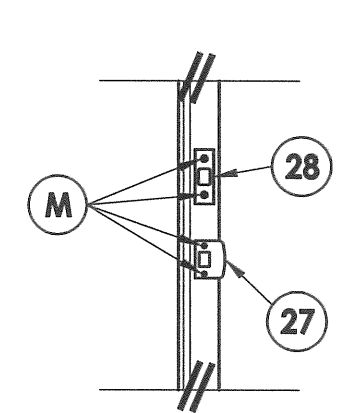
**HINGE JAMB**



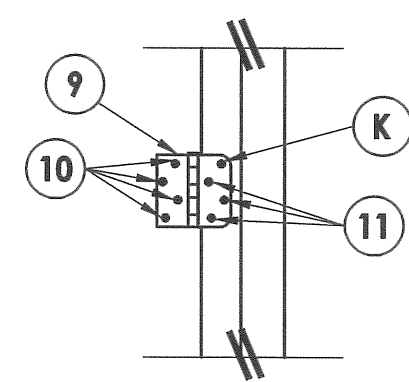
**FRAME ANCHORING**  
Masonry 2X buck construction



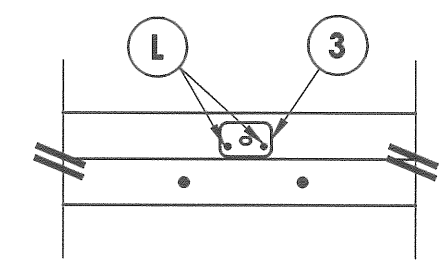
**ASTRAGAL STRIKE JAMB**



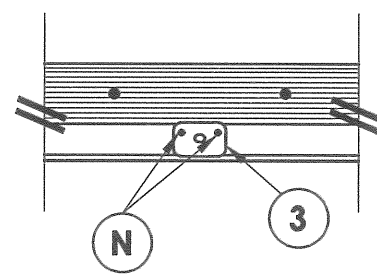
**LATCH & DEADBOLT DETAIL**



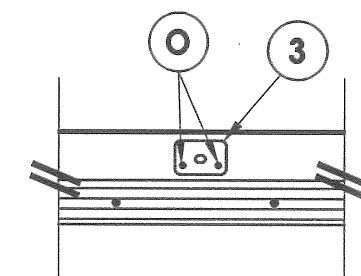
**HINGE DETAIL**



**DETAIL 2**



**DETAIL 1**  
Inswing configuration



**DETAIL 1**  
Outswing configuration

**CONCRETE ANCHOR NOTES:**

1. Substitution of equal concrete anchors from a different supplier may have different edge distance and center distance requirements.
2. Concrete anchor locations at the corners may be adjusted to maintain the min. edge distance to mortar joints. If concrete anchor locations noted as "MAX. ON CENTER" must be adjusted to maintain the min. edge distance to mortar joints, additional concrete anchors may be required to ensure the "MAX. ON CENTER" dimensions are not exceeded.
3. Concrete anchor table:

ANCHOR TYPE	ANCHOR SIZE	MIN. EMBEDMENT	MIN. CLEARANCE TO MASONRY EDGE	MIN. CLEARANCE TO ADJACENT ANCHOR
ITW	1/4"	1-1/4"	2-1/2"	3"
ELCO	1/4"	1-1/4"	1"	4"
ITW	3/16"	1-1/4"	2-5/8"	2-1/4"

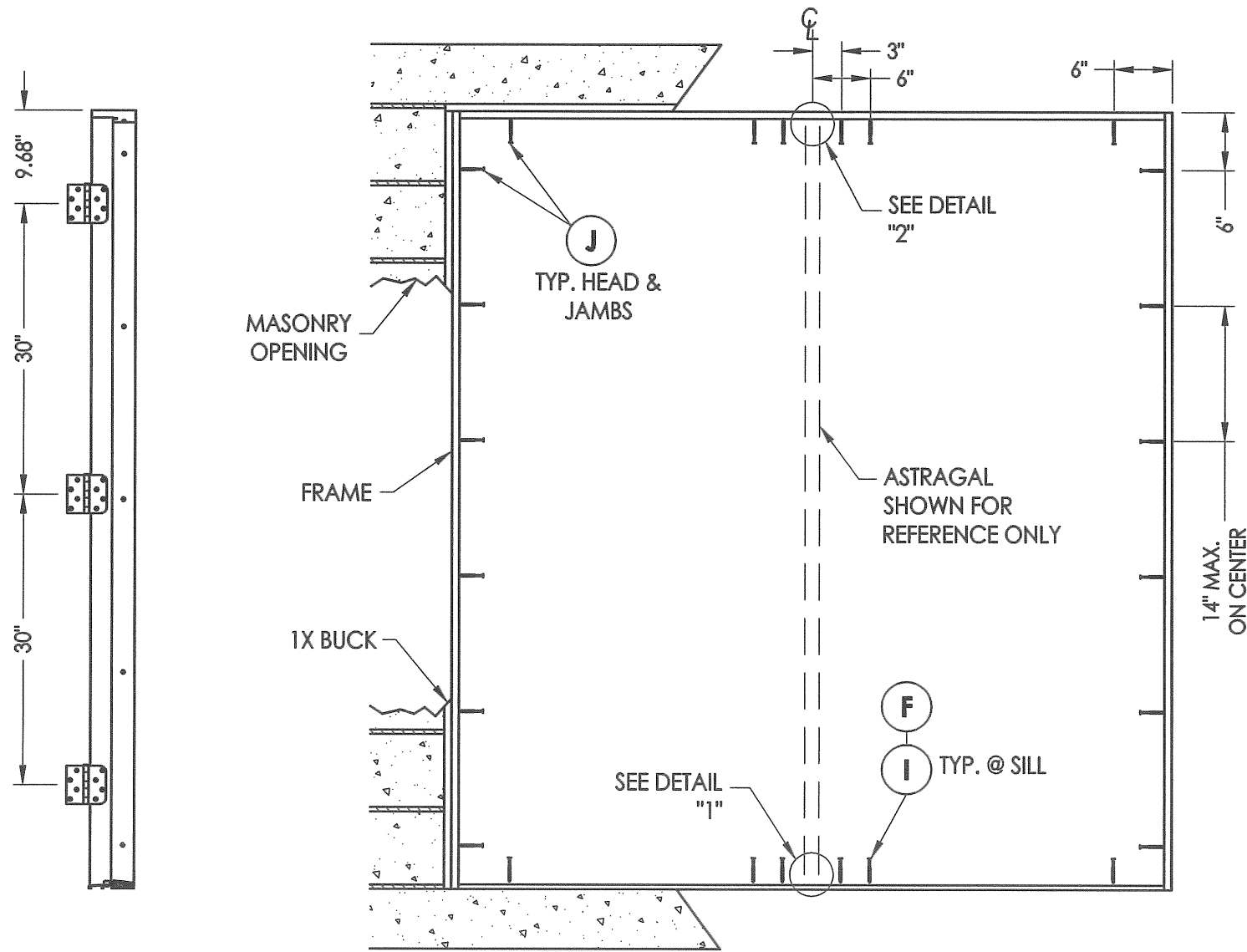
Documents Prepared By:

**RW** BUILDING CONSULTANTS, INC.  
P.O. Box 230 Valrico FL 33595  
Phone No.: 813.659.9197  
Florida Board of Professional Engineers  
Certificate Of Authorization No. 9813  
Lyndon F. Schmidt, P.E. No. 43409  
2-17-12

PRODUCT: PLASTPRO INC. FIBERGLASS DOOR  
PART OR ASSEMBLY: BUCK & FRAME ANCHORING 2X BUCK MASONRY CONSTRUCTION

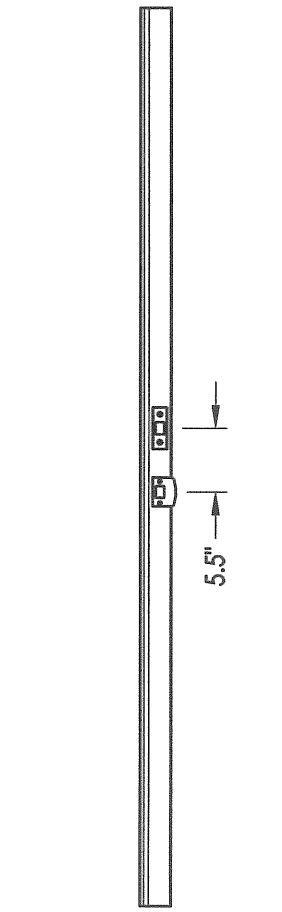
NO.	DATE	BY	REVISIONS

DATE: 9/4/08  
SCALE: N.T.S.  
DWG. BY: JK  
CHK. BY: LFS  
DRAWING NO.: FL-15213.17  
SHEET 5 OF 8

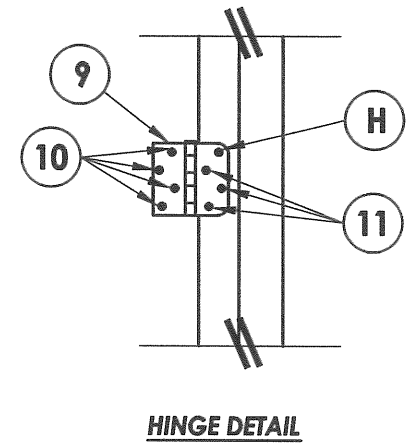


**HINGE JAMB**

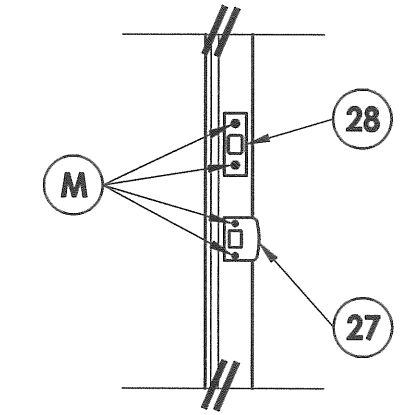
**FRAME ANCHORING**  
Masonry 1X buck construction



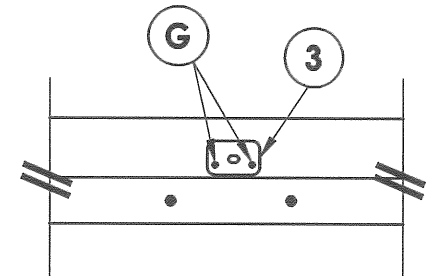
**ASTRAGAL STRIKE JAMB**



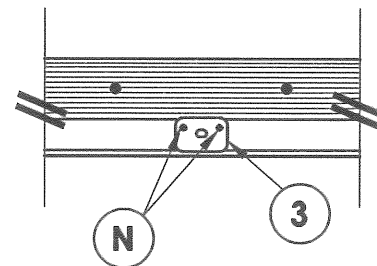
**HINGE DETAIL**



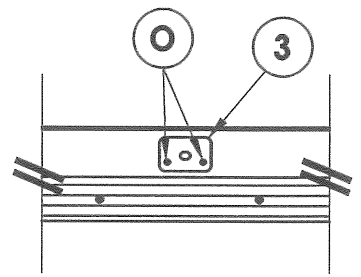
**LATCH & DEADBOLT DETAIL**



**DETAIL 2**



**DETAIL 1**  
Inswing configuration



**DETAIL 1**  
Outswing configuration

**CONCRETE ANCHOR NOTES:**

1. Substitution of equal concrete anchors from a different supplier may have different edge distance and center distance requirements.
2. Concrete anchor locations at the corners may be adjusted to maintain the min. edge distance to mortar joints. If concrete anchor locations noted as "MAX. ON CENTER" must be adjusted to maintain the min. edge distance to mortar joints, additional concrete anchors may be required to ensure the "MAX. ON CENTER" dimensions are not exceeded.
3. Concrete anchor table:

ANCHOR TYPE	ANCHOR SIZE	MIN. EMBEDMENT	MIN. CLEARANCE TO MASONRY EDGE	MIN. CLEARANCE TO ADJACENT ANCHOR
ITW	1/4"	1-1/4"	2-1/2"	3"
ITW	3/16"	1-1/4"	2-5/8"	2-1/4"

Documents Prepared By:

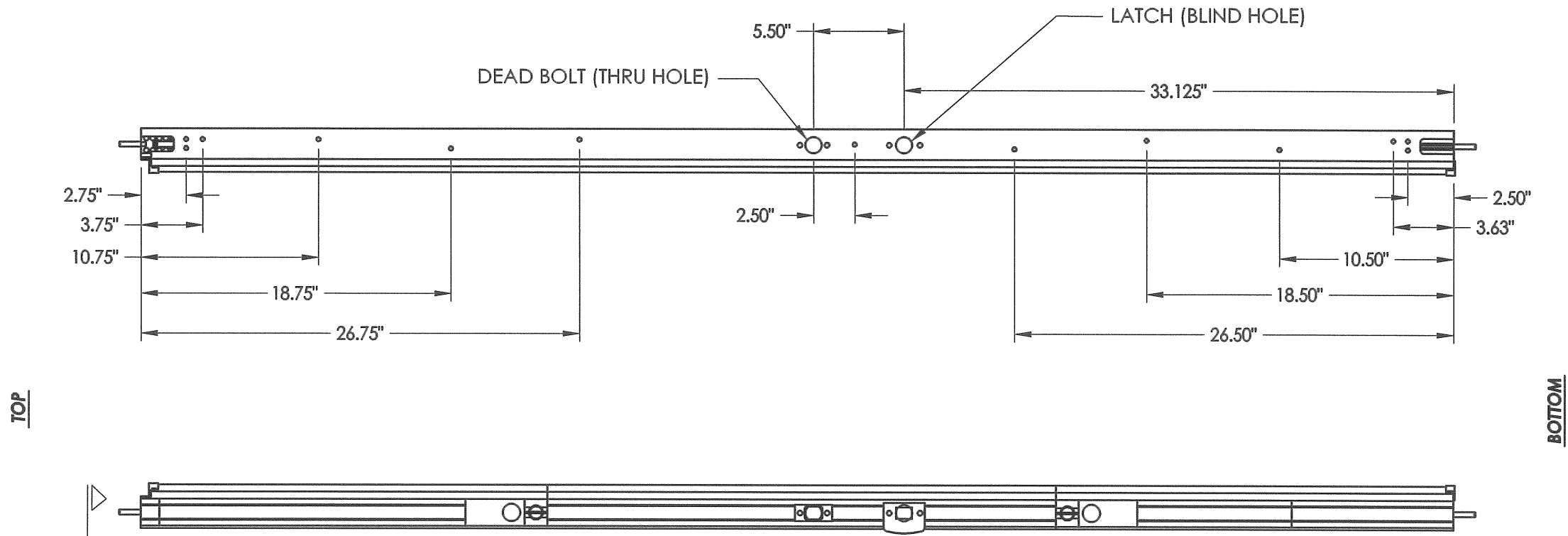
**RW** BUILDING CONSULTANTS, INC.  
P.O. Box 230 Valrico FL 33595  
Phone No.: 813.659.9197  
Florida Board of Professional Engineers  
Certificate Of Authorization No. 9813  
Lyndon F. Schmidt, P.E. No. 43409

PRODUCT: PLASTPRO INC. FIBERGLASS DOOR  
PART OR ASSEMBLY: FRAME ANCHORING 1X BUCK MASONRY CONSTRUCTION

NO.	DATE	BY	REVISIONS

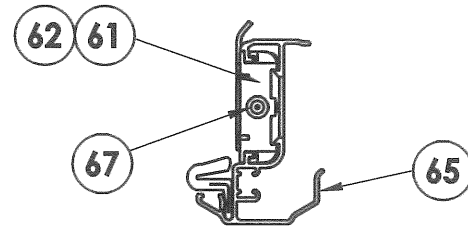
DATE: 9/4/08  
SCALE: N.T.S.  
DWG. BY: JK  
CHK. BY: LFS  
DRAWING NO.: FL-15213.17  
SHEET 6 OF 8

R:\A - Projects\Project Folders\proj 1501 - 1600\PF 1587\D. RWBC Drawings\2010\FL-15213.12-18.dwg, 7.17

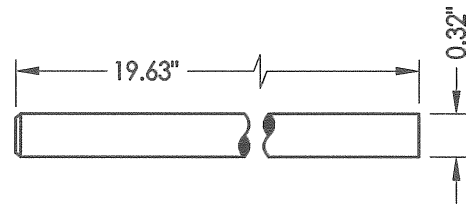


**6'8 ALUMINUM ASTRAGAL ASSEMBLY**  
By Endura Product

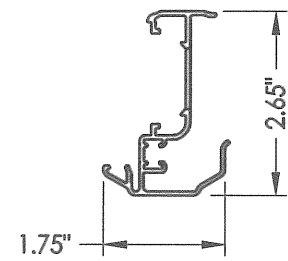
A-A



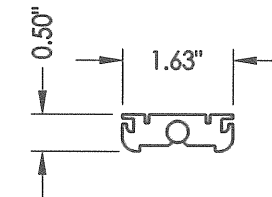
**VIEW A-A**  
Aluminum Astragal Assembly



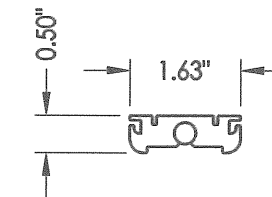
**67 SLIDE BOLT ROD**  
MATL: Steel



**65 ALUMINUM ASTRAGAL**  
By Endura Product



**62 TOP BOLT RETAINER**  
MATL: 9-3/4\"/>



**61 TOP BOLT RETAINER**  
MATL: 4-3/4\"/>

Documents Prepared By:  
**RW** BUILDING CONSULTANTS, INC.  
P.O. Box 230 Valrico FL 33595  
Phone No.: 813.659.9197  
Florida Board of Professional Engineers  
Certificate of Authorization No. 9813  
LFS 2.17.12  
Lyndon F. Schmidt, P.E. No. 43409

PRODUCT:  
PLASTPRO INC.  
FIBERGLASS DOOR  
PART OR ASSEMBLY:  
ENDURA ASTRAGAL DETAILS

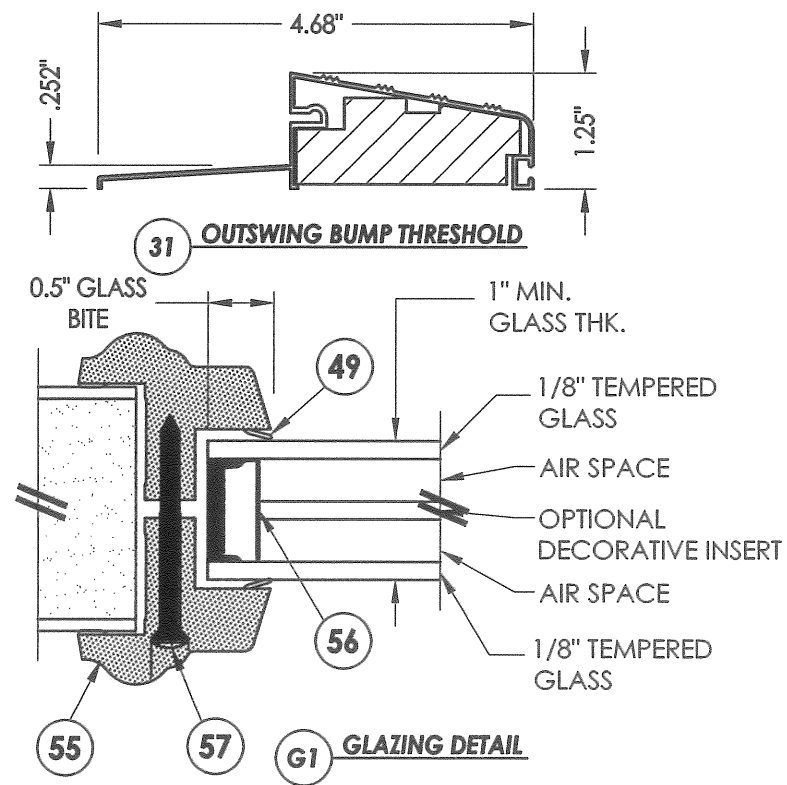
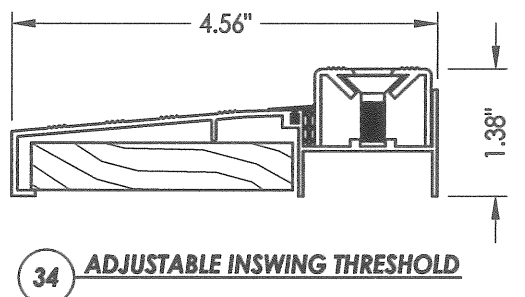
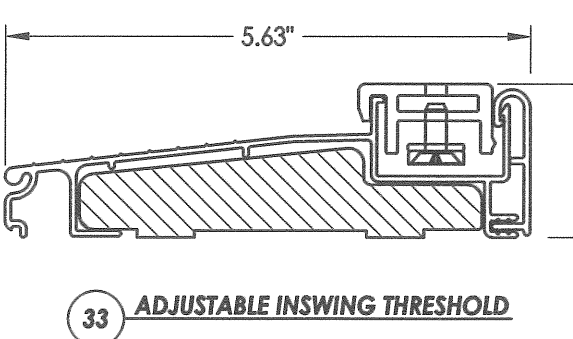
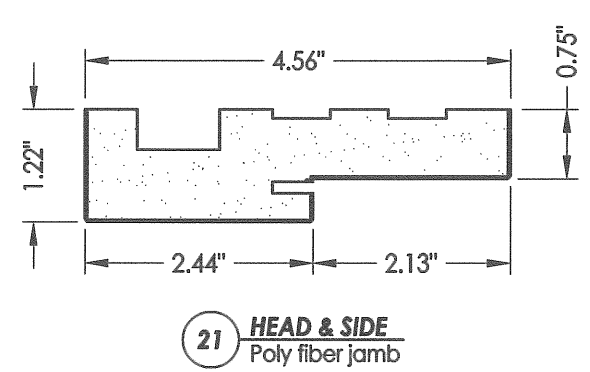
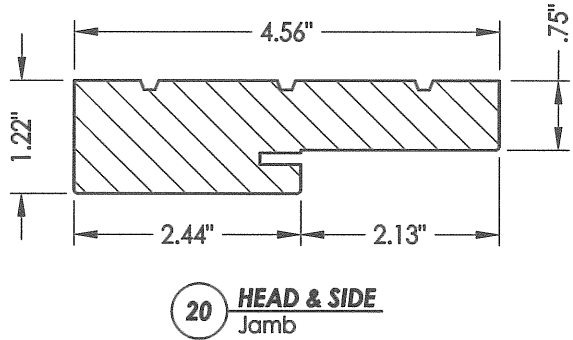
NO.	DATE	REVISIONS	BY

DATE: 9/4/08  
SCALE: N.T.S.  
DWG. BY: JK  
CHK. BY: LFS  
DRAWING NO.: FL-15213.17  
SHEET 7 OF 8



R:\A - Projects\Project Folders\proj 1501 - 1600\PF 1587\D. RWBC Drawings\2010\FL-15213.12-18.dwg, 8.17

BILL OF MATERIALS					
ITEM	DESCRIPTION	MATERIAL	ITEM	DESCRIPTION	MATERIAL
A	1X BUCK SG >= 0.55	WOOD	20	FINGER JOINTED PINE FRAME, HEAD & HINGE JAMBS	WOOD
B	2X BUCK SG >= 0.55	WOOD	21	POLYFIBER JAMB	COMP. / VINYL
C	1/4" MAX. SHIM SPACE	-	27	LATCH STRIKE PLATE	STEEL
D	1/4" X 2-3/4" PFH ELCO OR ITW CONCRETE SCREW	STEEL	28	DEADBOLT STRIKE PLATE	STEEL
E	MASONRY - 3,192 PSI MIN. CONCRETE CONFORMING TO ACI 301 OR HOLLOW BLOCK CONFORMING TO ASTM C90	CONCRETE	30	WEATHER-STOP 3647 HOLM INDUSTRIES	VINYL
F	1/4" X 2-3/4" PFH ITW CONCRETE SCREW	STEEL	31	OUTSWING BUMP THRESHOLD	ALUM./ WOOD
G	3/16" X 3-1/4" PFH ITW CONCRETE SCREW	STEEL	32	VINYL DOOR BOTTOM SWEEP #3628 BY HOLM IND.	PVC
H	1/4" x 3-1/4" PFH ITW CONCRETE SCREW	STEEL	33	INSWING ADJUSTABLE THRESHOLD BY ENDURA	ALUM. / WOOD
I	1/4" X 2-1/4" PFH ITW CONCRETE SCREW	STEEL	34	INSWING ADJUSTABLE ALUMINUM THRESHOLD BY DLP	ALUM. / WOOD
J	1/4" X 3-3/4" PFH ITW CONCRETE SCREW	STEEL	40	DOOR PANEL - SEE DOOR PANEL DETAIL SHEET FOR CONSTRUCTION DETAILS	-
K	#9X 2-1/2" PFH WOOD SCREW	STEEL	41	DOOR SKIN (MIN. 0.075" THICK)	FIBERGLASS
L	#10 X 2-1/2" PFH WOOD SCREW	STEEL	42	TOP RAIL	CELLULAR PVC
M	#9 X 2-1/4" PFH WOOD SCREW	STEEL	43	LATCH & HINGE STILE	CELLULAR PVC
N	3/16" X 3-1/2" PFH ITW CONCRETE SCREW	STEEL	44	LOCK REINFORCEMENT	WOOD
O	3/16" X 1-1/2" PFH ITW CONCRETE SCREW	STEEL	45	BOTTOM RAIL	CELLULAR PVC
1	#10 X 2-1/2" PFH SMS	STEEL	46	POLYURETHANE FOAM BY NAN YA	POLYURETHANE
2	#8 X 3" PSH SMS	STEEL	47	CONTINUOUS LATCH & HINGE STILE REINFORCEMENT	WOOD
3	FLUSH BOLT STRIKE PLATE	STEEL	49	GLAZING COMPOUND DOW 995	SILICONE
7	Q-LON 650 WEATHER STRIP SCHLEGEL	FOAM	55	LIP LITE ODL/WESTERN REFLECTIONS HP	POLYPROPYLENE
8	COMPRESSION WEATHER STRIP QLON 650 BY SCHLEGEL	FOAM	56	GLAZING SPACER	ALUM.
9	4" X 4" BUTT HINGE	STEEL	57	#8 x 1-1/2" PFH LITE FRAME SCREW	STEEL
10	#9 X 1" PFH WOOD SCREW	STEEL	61	4-3/4" LENGTH TOP BOLT RETAINER	HDPE
11	#9 X 3/4" PFH WOOD SCREW	STEEL	62	9-8/4" LENGTH TOP BOLT RETAINER	ALUMINUM
17	KWIKSET KEYED ENTRY - SIGNATURE SERIES	STEEL	65	ASTRAGAL BY ENDURA PRODUCTS	ALUMINUM
18	KWIKSET DEADBOLT - SIGNATURE SERIES (780)	STEEL	67	SLIDE BOLT ROD	STEEL



Documents Prepared By:  
**RW** BUILDING CONSULTANTS, INC.  
 P.O. Box 230 Valrico FL 33595  
 Phone No.: 813.659.9197  
 Florida Board of Professional Engineers  
 Certificate Of Authorization No. 9813  
 2-2-12  
 Lyndon F. Schmidt, P.E. No. 43409

PRODUCT: PLASTPRO INC. FIBERGLASS DOOR  
 PART OR ASSEMBLY: BILL OF MATERIALS, GLAZING DETAIL & COMPONENTS

NO.	DATE	BY	REVISIONS

DATE: 9/4/08  
 SCALE: N.T.S.  
 DWG. BY: JK  
 CHK. BY: LFS  
 DRAWING NO.: FL-15213.17  
 SHEET 8 OF 8